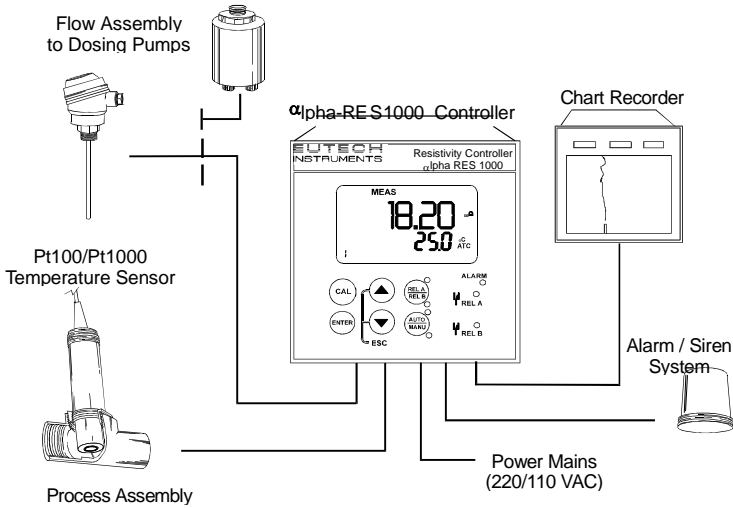


2 Assembly and Installation

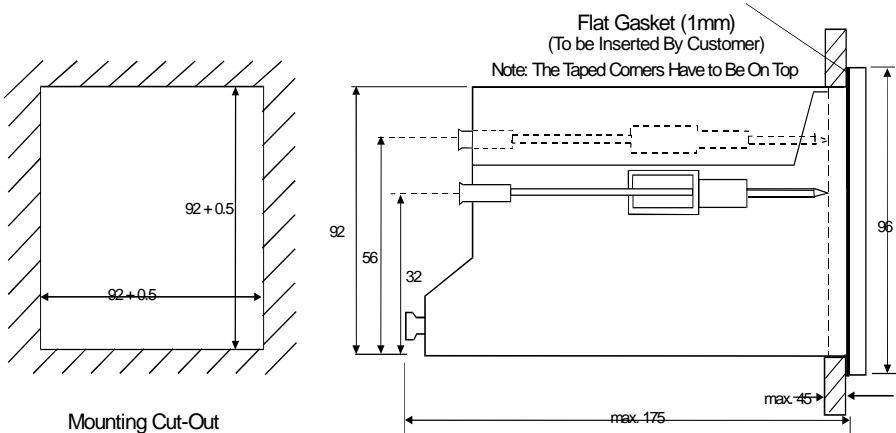
2.1 Measurement and Control System

A typical measurement system consists of:

- a alpha-RES1000 process controller
- a suitable Resistivity electrode with the appropriate Cell constant and integrated temperature sensor Pt 1000 or Pt 100,
- an immersion, flow or process assembly
- a final control element such as pump or valve and
- a chart recorder



2.2 Unit Dimensions



The field-tested control panel housing is 96 x 96 mm; with protection class IP 54 (front).