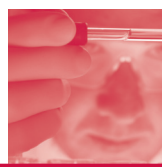




LABORATORY PRODUCT

focus



Increase Your Efficiency in the Laboratory

Bhaskar Narayanan and Subramanian Raghuraman, Eutech Instruments



Figure 1. Parameters: pH – mV – Conductivity – Resistivity – Salinity – TDS – Ion – DO – BOD – SOUR – Temperature

INCREASE YOUR EFFICIENCY

Besides excellent measurement features, the CyberScan Series 6000 is equipped with Windows CE operating system and RJ45 network connector. When taking measurements you can export the data into a text or html file that can be stored in the instrument itself or transferred to a SD-card, a connected network computer or emailed to anyone you want. You can customise the data to include information such as date, time, sample id, temperature, slope, calibration information and buffers used. This method of measuring, storing and transferring data makes the whole analytical procedure seamless and facilitates the compliance of ISO requirements.

MEASUREMENT FEATURES

The complete line consists of seven instruments. The most basic model is the CyberScan pH 6000 that measures pH and mV. The most extensive model is the CyberScan PCD 6500 (Figure 1.) which measures and displays up to four channels simultaneously. This unit features two pH/ mV/ ISE inputs, one FET input, one conductivity input (2 or 4 cell), as well as a dissolved oxygen input. The ports are shielded to prevent cross talk or other interference. In the pH and Ion mode you can calibrate up to 5 points with an exceptional accuracy of + 0.002 pH and an adjustable resolution to 0.001.

Ion-selective electrode measurement is easy, with the ion name displayed on the measurement screen so you will never have the wrong ISE curve. In addition, you can automatically run direct or addition/subtraction methods. On-screen prompts allow easy entry of volumes and concentrations, (Figure 2) quickly providing sample concentration without tedious paper calculations. The self-stirring BOD probe makes BOD measurements easy. Simply enter the seed volume and BOD data, and the instrument will take care of the rest. The meter will prompt you for every action. In the conductivity mode, you can select several features such as temperature coefficients, cell constants and display units.

MULTI-USER AND PASSWORD PROTECTION

The CyberScan Series 6000 has a multi-user function in which a system administrator can assign up to ten user accounts. All setup and measurement data are stored and accessed separately for each user. With this feature, it is equivalent to having ten meters in one. This enables reliable documentation and protects the data against accidental deletion. Each user can store up to fifteen thousand data sets together with the calibrated values. This is extremely useful as you do not have to recalibrate the meter each time you attach another electrode or switch users. Now you can save up to ten different ion calibrations under different user names.

Getting accurate data in a good format at the right place quickly and efficiently is a daily challenge. Usually, taking measurements is not the greatest problem, but analysing and forwarding the information is. Firstly, the data must be sent to a PC where it is analysed and formatted before it can be forwarded to the responsible person. This takes up a lot of time and reduces efficiency.

The new Eutech CyberScan Series 6000 of full-colour touchscreen research-grade benchtop instruments combine exact measurements and ease of use with quick data analysis and perfect communication platform.

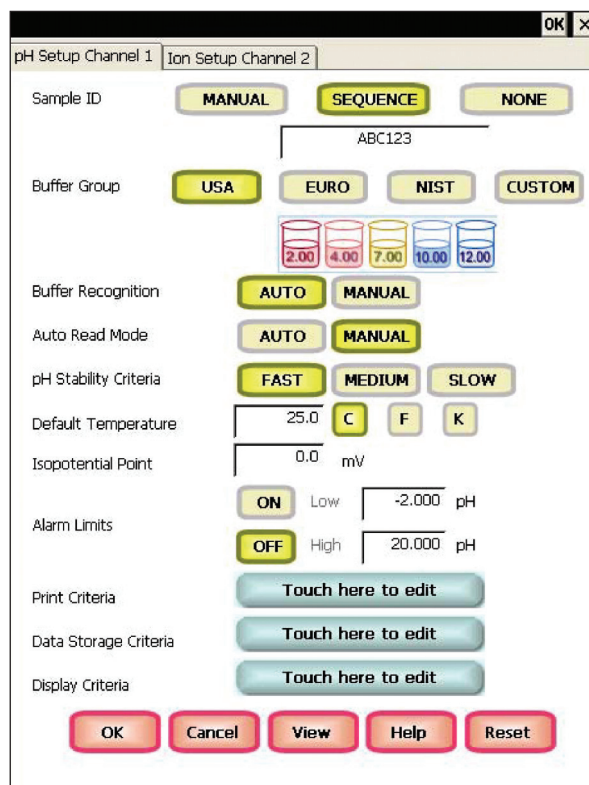


Figure 2. Screenshot of setup mode for pH measurement

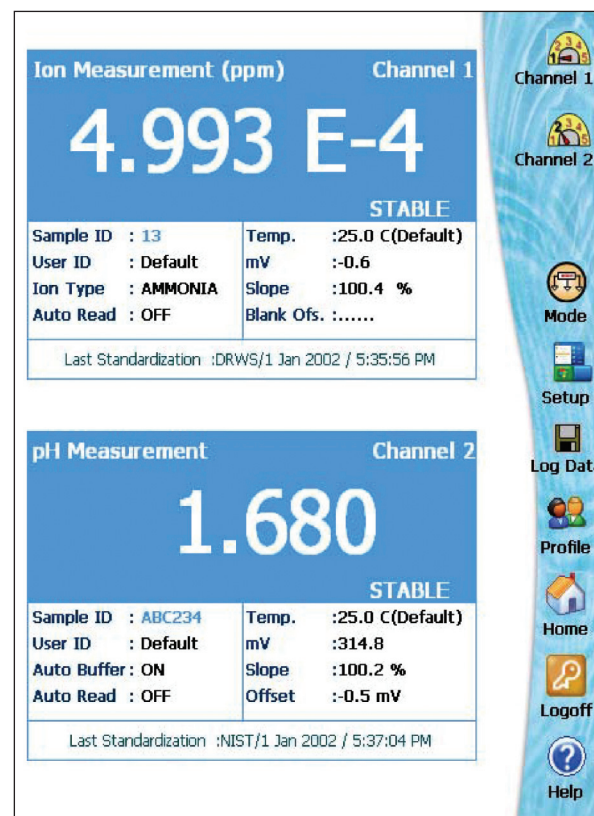


Figure 3. Screenshot of Ion & pH dual screen measuring mode

DISPLAY, OPERATION AND COMMUNICATION FEATURES

The large full-colour touchscreen makes measurement and instant analysis extremely user-friendly. The CyberScan Series 6000 is capable of providing real-time graphing functions. The easy to read display and advanced "help" screens virtually eliminate user errors.

The Windows CE operation system provides a familiar interface, (Figure 3) making its operation intuitive from the first time you turn it on. Intelligible icons help you navigate to setup or measurement modes quickly, for everyday measurements and more complicated routines. Any revised settings can be recalled the next time you log in.

All models are equipped with USB port, RJ45 input, Infrared output and a SD-card slot. The advanced USB connectivity lets you add keyboard, mouse or any other USB devices that makes operating this meter extremely easy. With the RJ45 input you can connect directly to the internet.

The extensive ranges, enhanced accuracy and value-added features are unparalleled in the industry. The full-colour touchscreen and Windows CE operating system make the Eutech CyberScan Series 6000 the most user-friendly, versatile and advanced research-grade series of instruments available today.

Table 1: The features of each model

Models/Features	PCD 6500	PC 6500	PC 6000	PH 6500	CON 6000	DO 6000	PH 6000
pH	•	•	•	•	--	--	•
mV	•	•	•	•	--	--	•
Ion	•	•	--	•	--	--	--
Conductivity	•	•	•	--	•	--	--
Resistivity	•	•	•	--	•	--	--
Salinity	•	•	•	--	•	--	--
TDS	•	•	•	--	•	--	--
Dissolved Oxygen	•	--	--	--	--	•	--
Temperature	•	•	•	•	•	•	•
Memory Data Storage (per user login)	Up to 15,000	Up to 11,000	Up to 10,000	Up to 7,000	Up to 4,000	Up to 4,000	Up to 3,000
Display channels	Quadruple	Triple	Dual	Dual	Single	Single	Single
Extensive Setup Screens	•	•	•	•	•	•	•
Ethernet / Internet Ready	•	•	•	•	•	•	•
USB / IRDA	•	•	•	•	•	•	•